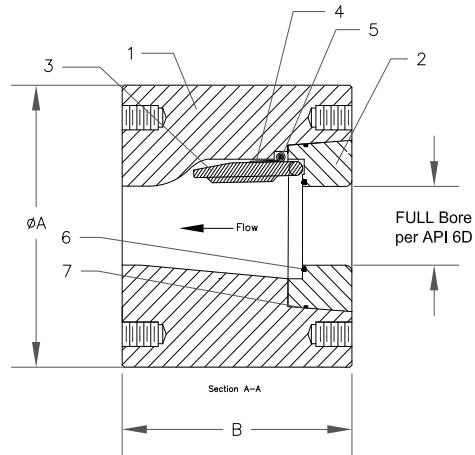
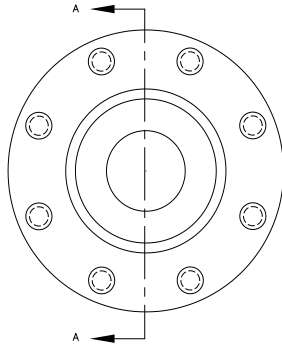




HIGH PERFORMANCE
FULL FLOW
LARGE UNOBSTRUCTED
FLOW PATH
RUGGED, HIGH INTEGRITY
CONSTRUCTION



PARTS LIST

ITEM	PART NAME
1	BODY
2	SEAT INSERT
3	FLAPPER
4	SPRING
5	SPRING PIN
6	SEAT SEAL
7	INSERT RING

Series FF Installation Dimensions

SIZE	ASME CLASS	A-Dia		B-LTH		Bolt Holes				Bolt Circle		Flange Face	WEIGHT	
		inch	mm	inch	mm	Qty	Depth			inch	mm		lbs.	kg.
							inch	mm	Threads					
4" 100mm	150	9	229	8-3/4	222	8	1	25	5/8-11	7-1/2	191	RF/FF	127	58
	300	10	254	9-1/4	235	8	1-1/8	29	3/4-10	7-7/8	200	RF/FF	173	79
	600	10-3/4	273	10	254	8	1-3/8	35	7/8-9	8-1/2	216	RF/RJ-37	222	101
	900	11-1/2	292	11-3/8	289	8	1-3/4	44	1-1/8-8	9-1/4	235	RF/RJ-37	295	134
	1500	12-1/4	311	12-1/2	318	8	1-7/8	48	1-1/4-8	9-1/2	241	RF/RJ-39	373	170
	2500	14	356	13-1/2	343	8	2-1/4	57	1-1/2-8	10-3/4	273	RF/RJ-38	553	251
6" 150mm	150	11	279	11-1/4	286	8	1-1/8	29	3/4-10	9-1/2	241	RF/FF	213	97
	300	12-1/2	318	11-1/2	292	12	1-1/8	29	3/4-10	10-5/8	270	RF/FF	308	140
	600	14	356	12-3/4	324	12	1-1/2	38	1-8	11-1/2	292	RF/RJ-45	454	206
	900	15	381	13-3/4	349	12	1-3/4	44	1-1/8-8	12-1/2	318	RF/RJ-45	579	263
	1500	15-1/2	394	15-1/2	394	12	2-1/8	54	1-3/8-8	12-1/2	318	RF/RJ-46	715	325
	2500	19	483	18-1/4	464	8	3	76	2-8	14-1/2	368	RF/RJ-47	1355	616
8" 200mm	150	13-1/2	343	13-1/4	337	8	1-1/8	29	3/4-10	11-3/4	298	RF/FF	349	159
	300	15	381	14-1/4	362	12	1-3/8	35	7/8-9	13	330	RF/FF	511	232
	600	16-1/2	419	15-3/4	400	12	1-3/4	44	1-1/8-8	13-3/4	349	RF/RJ-49	731	332
	900	18-1/2	470	17-1/4	438	12	2-1/8	54	1-3/8-8	15-1/2	394	RF/RJ-49	1069	486
	1500	19	483	19-1/4	489	12	2-1/2	64	1-5/8-8	15-1/2	394	RF/RJ-50	1299	590
	2500	21-3/4	552	21-1/4	540	12	3	76	2-8	17-1/4	438	RF/RJ-51	1999	909
10" 250mm	150	16	406	16	406	12	1-3/8	35	7/8-9	14-1/4	362	RF/FF	556	253
	300	17-1/2	445	16-3/4	425	16	1-1/2	38	1-8	15-1/4	387	RF/FF	769	350
	600	20	508	18-1/2	470	16	1-7/8	48	1-1/4-8	17	432	RF/RJ-53	1236	562
	900	21-1/2	546	19-3/4	502	16	2-1/8	54	1-3/8-8	18-1/2	470	RF/RJ-53	1594	725
	1500	23	584	22-3/4	578	12	2-7/8	73	1-7/8-8	19	483	RF/RJ-54	2223	1010
	2500	26-1/2	673	25-1/2	648	12	3-3/4	95	2-1/2-8	21-1/4	540	RF/RJ-55	3541	1610

Dimensions shown are for installation between ASME B16.5 flanges.



Series FF Installation Dimensions, continued

SIZE	CLASS	A-Dia		B-LTH		Bolt Holes				Bolt Circle		Flange Face	WEIGHT	
		inch	mm	inch	mm	Qty	Depth		Threads	inch	mm		lbs.	kg.
							inch	mm						
12" 300mm	150	19	483	18	457	12	1-3/8	35	7/8-9	17	432	RF/FF	870	395
	300	20-1/2	521	19-1/2	495	16	1-3/4	44	1-1/8-8	17-3/4	451	RF/FF	1200	545
	600	22	559	20-3/4	527	20	1-7/8	48	1-1/4-8	19-1/4	489	RF/RJ-57	1571	714
	900	24	610	22-1/4	565	20	2-1/8	54	1-3/8-8	21	533	RF/RJ-57	2141	973
	1500	26-1/2	673	26	660	16	3	76	2-8	22-1/2	572	RF/RJ-58	3318	1508
	2500	30	762	29	737	12	4-1/8	105	2-3/4-8	24-3/8	619	RF/RJ-60	5101	2319
14" 350mm	150	21	533	19-3/4	502	12	1-1/2	38	1-8	18-3/4	476	RF/FF	1168	531
	300	23	584	20-3/4	527	20	1-3/4	44	1-1/8-8	20-1/4	514	RF/FF	1634	743
	600	23-3/4	603	22-3/4	578	20	2-1/8	54	1-3/8-8	20-3/4	527	RF/RJ-61	1969	895
	900	25-1/4	641	23-3/4	603	20	2-1/4	57	1-1/2-8	22	559	RF/RJ-62	2513	1142
	1500	29-1/2	749	28-1/4	718	16	3-3/8	86	2-1/4-8	25	635	RF/RJ-63	4493	2042
16" 400mm	150	23-1/2	597	22	559	16	1-1/2	38	1-8	21-1/4	540	RF/FF	1567	712
	300	25-1/2	648	23-1/2	597	20	1-7/8	48	1-1/4-8	22-1/2	572	RF/FF	2186	994
	600	27	686	25-1/2	648	20	2-1/4	57	1-1/2-8	23-3/4	603	RF/RJ-65	2820	1282
	900	27-3/4	705	26-3/4	679	20	2-1/2	64	1-5/8-8	24-1/4	616	RF/RJ-66	3292	1496
18" 450mm	150	25	635	24-1/2	622	16	1-3/4	44	1-1/8-8	22-3/4	578	RF/FF	1787	812
	300	28	711	25-1/2	648	24	1-7/8	48	1-1/4-8	24-3/4	629	RF/FF	2763	1256
	600	29-1/4	743	28-1/4	718	20	2-1/4	64	1-5/8-8	25-3/4	654	RF/RJ-69	3511	1596
	900	31	787	30	762	20	2-7/8	73	1-7/8-8	27	686	RF/RJ-70	4547	2067
20" 500mm	150	27-1/2	699	26-1/2	673	20	1-3/4	44	1-1/8-8	25	635	RF/FF	2277	1035
	300	30-1/2	775	27-3/4	705	24	1-7/8	48	1-1/4-8	27	686	RF/FF	3459	1572
	600	32	813	30-1/2	775	24	2-1/2	64	1-5/8-8	28-1/2	724	RF/RJ-73	4439	2018

Dimensions shown are for installation between ASME B16.5 flanges.
Consult HY-GRADE for sizes not shown

