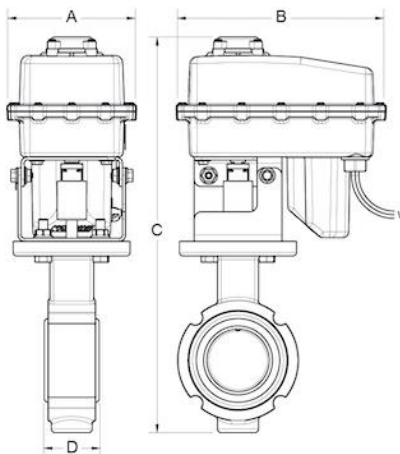


50 Series (Butterfly Valves)

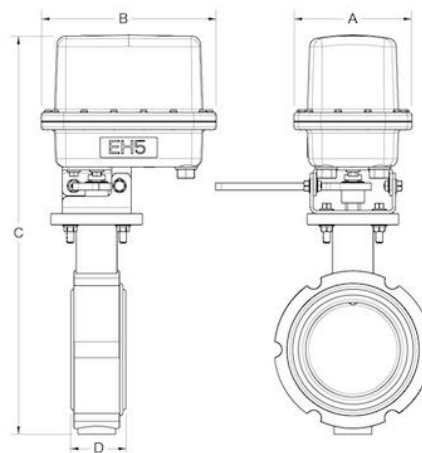
- 2" – 5" Wafer Body Resilient Seated Butterfly Valves
- 2" & 3" Valve Body: Cast Iron
- 4" & 5" Valve Body: Aluminum
- Disk & Stem: CF8M (316) stainless steel
- Seat: EPDM (Buna or Viton Available)
- 2" Valve uses EH2 Actuator
- 3", 4", 5" Valves use EH5 Actuators



| 50 Series - Dimensions | | | | |
|------------------------|------|------|-------|------|
| Size | A | B | C | D |
| 2" | 4.4" | 7.2" | 13.5" | 1.9" |
| 3" | 5.2" | 7.7" | 15.7" | 1.8" |
| 4" | 5.2" | 7.7" | 17.4" | 2.0" |
| 5" | 5.2" | 7.7" | 17.9" | 2.1" |



2" Cast Iron Butterfly Valves



3", 4", & 5" Cast Iron Butterfly Valves