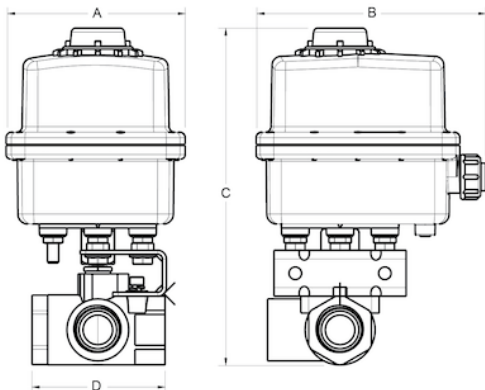


## 78 Series (3-Way Diverter Bronze Ball Valves)

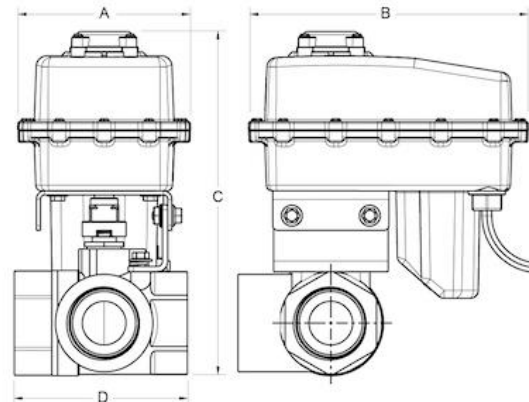
- 1/2" to 2" bronze 3-way diverter ball valve (standard port)
- Valve Body: C84400 Bronze
- Ball & Stem: CF8M (316) stainless steel
- Seat & Stem Packing: Virgin Teflon® (PTFE)
- 1/2" use EH3 Actuators (Rated for 400 PSI at 70° F)
- 3/4", 1", 1 1/2", 2" use EH2 Actuators (Rated for 400 PSI at 70° F)



78 Series - Dimensions				
Size	A	B	C	D
1/2"	4.0"	5.1"	7.0"	2.3"
3/4"	4.4"	7.2"	7.2"	3.0"
1"	4.4"	7.2"	7.5"	3.3"
1.5"	4.4"	7.2"	8.8"	4.4"
2"	4.4"	7.2"	9.2"	4.7"



1/2" Bronze Ball Valves



3/4", 1", 1 1/2" and 2" Bronze Ball Valves