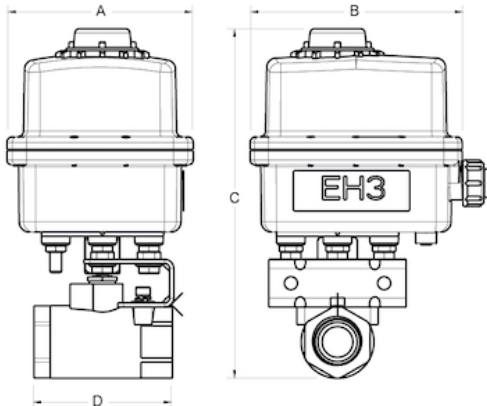


84 Series (2-Piece Bronze Ball Valves)

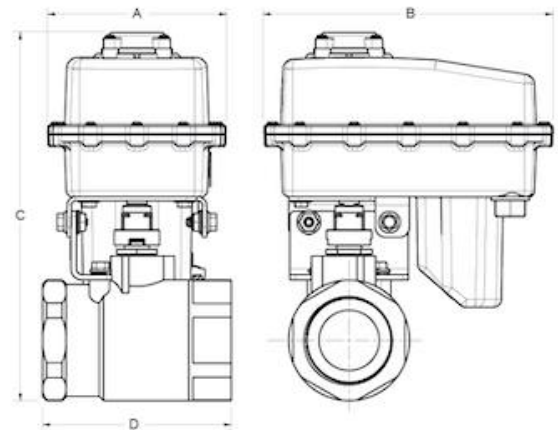
- 1/4" to 2" bronze 2-Piece ball valves(standard port)
- Valve Body: C84400 Bronze
- Ball & Stem: CF8M (316) stainless steel
- Seat & Stem Packing: Virgin Teflon® (PTFE)
- 1/4", 3/8", 1/2" use EH3 Actuators (Rated for 600 PSI at 70° F)
- 3/4", 1", 1 1/2", 2" use EH2 Actuators (Rated for 600 PSI at 70° F)



84 Series - Dimensions				
Size	A	B	C	D
1/4"	4.0"	5.1"	8.3"	3.0"
3/8"	4.0"	5.1"	8.3"	3.0"
1/2"	4.0"	5.1"	8.3"	3.0"
3/4"	4.4"	7.2"	7.2"	3.0"
1"	4.4"	7.2"	7.5"	3.4"
1.5"	4.4"	7.2"	8.8"	4.3"
2"	4.4"	7.2"	9.2"	4.7"



1/4", 3/8" & 1/2" Bronze Ball Valves



3/4", 1", 1 1/2", 2" Bronze Ball Valves