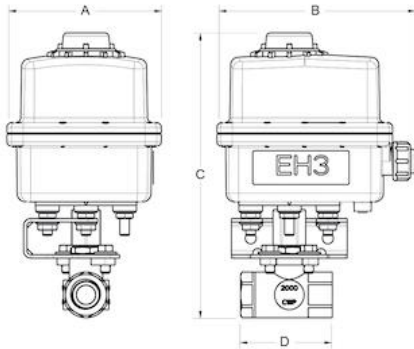


88 Series (2-Piece SS Ball Valves)

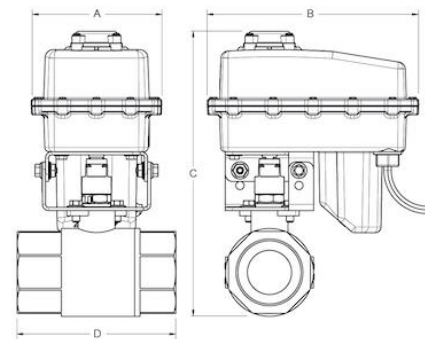
- 1/4" to 2" stainless steel 2-Piece ball valves
- Ball & Valve Body: CF8M (316) stainless steel
- Stem: 316 stainless steel with Viton™ O-ring
- Seat & Stem Packing: Molecularly Enhanced Virgin Teflon® (ME-PTFE)
- 1/4", 3/8", 1/2" use EH3 Actuators (Rated for 2000 PSI at 70° F)
- 3/4", 1" use EH2 Actuators (Rated for 2000 PSI at 70° F)
- 1 1/2", 2" use EH2 Actuators (Rated for 1500 PSI at 70° F)



88 Series - Dimensions				
Size	A	B	C	D
1/4"	4.0"	5.1"	7.4"	2.2"
3/8"	4.0"	5.1"	7.4"	2.2"
1/2"	4.0"	5.1"	7.4"	2.2"
3/4"	4.4"	7.2"	8.0"	3.2"
1"	4.4"	7.2"	8.4"	3.4"
1.5"	4.4"	7.2"	9.3"	4.4"
2"	4.4"	7.2"	9.7"	5.4"



1/4", 3/8", & 1/2" Stainless Steel 2-Way Ball Valves



3/4", 1", & 1 1/2" Stainless Steel 2-Way Ball Valves