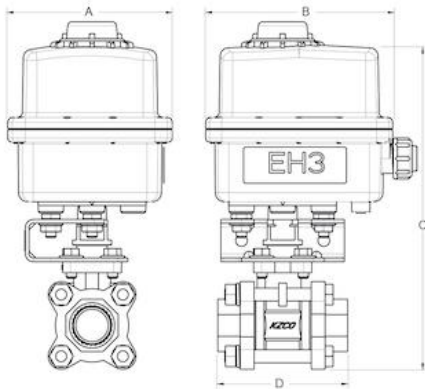
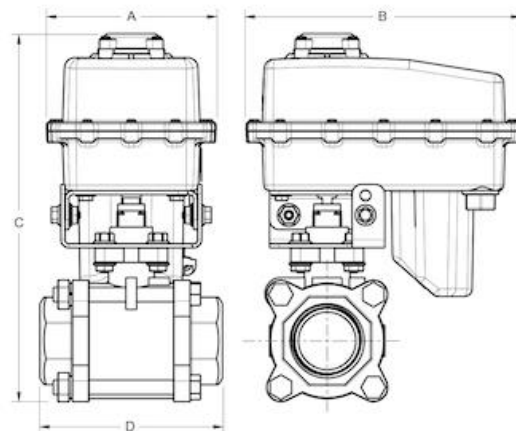


89 Series (3-Piece SS Ball Valves)

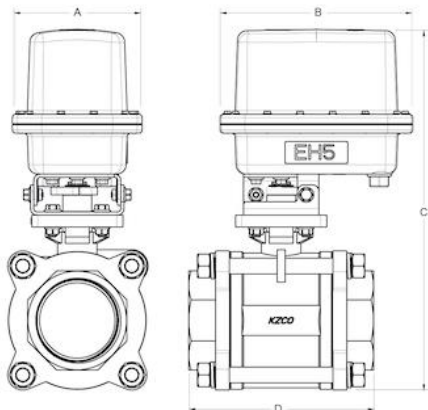
- 1/2" to 3" stainless steel 3-Piece full port ball valves
- Ball & Valve Body: CF8M (316) stainless steel
- Stem: 316 stainless steel with Viton™ O-ring
- Seat & Stem Packing: Enhanced Virgin Teflon® (PTFE)
- 1/2" use EH3 Actuators (Rated for 1000 PSI at 70° F)
- 3/4", 1", 1 1/4", 1 1/2" use EH2 Actuators (Rated for 1000 PSI at 70° F)
- 2", 2 1/2", 3" use EH5 Actuators (Rated for 1000 PSI at 70° F)



1/2" Stainless Steel 3-Piece, 2-Way Ball Valves



3/4", 1", & 1 1/2" Stainless Steel 3-Piece, 2-Way Ball Valves



2", 2 1/2", & 3" Stainless Steel 3-Piece, 2-Way Ball Valves

89 Series				
Size	A	B	C	D
1/2"	4.0"	5.1"	8.3"	3.0"
3/4"	4.4"	7.2"	8.2"	3.2"
1"	4.4"	7.2"	8.6"	3.6"
1.25"	4.4"	7.2"	9.1"	4.4"
1.5"	4.4"	7.2"	9.6"	4.8"
2"	5.2"	7.7"	12.0"	5.4"
2.5"	5.2"	7.7"	13.7"	6.7"
3"	5.2"	7.7"	14.4"	7.4"