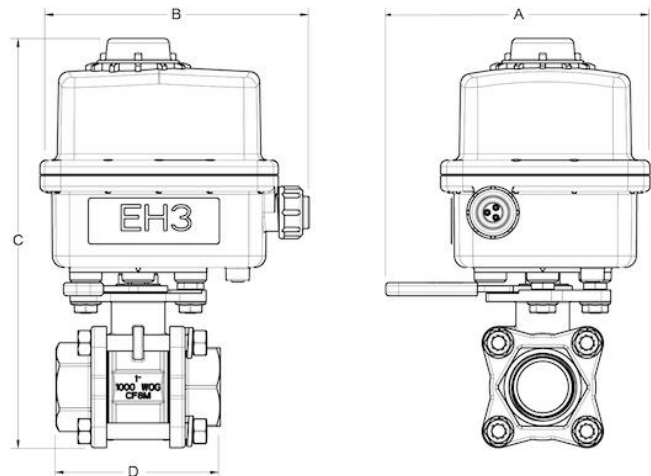


92 Series (3-Piece SS Ball Valve)

- 1" stainless steel 3-Piece full port ball valve with manual handle
- Direct mount actuator/valve assembly
- Ball & Valve Body: CF8M (316) stainless steel
- Stem: 316 stainless steel with Viton™ O-ring
- Seat & Stem Packing: Enhanced Virgin Teflon® (PTFE)
- Rated for 600 PSI at 70° F
- Uses EH3 Actuator



92 Series - Dimensions				
Size	A	B	C	D
1"	5.0"	5.1"	7.8"	3.1"