

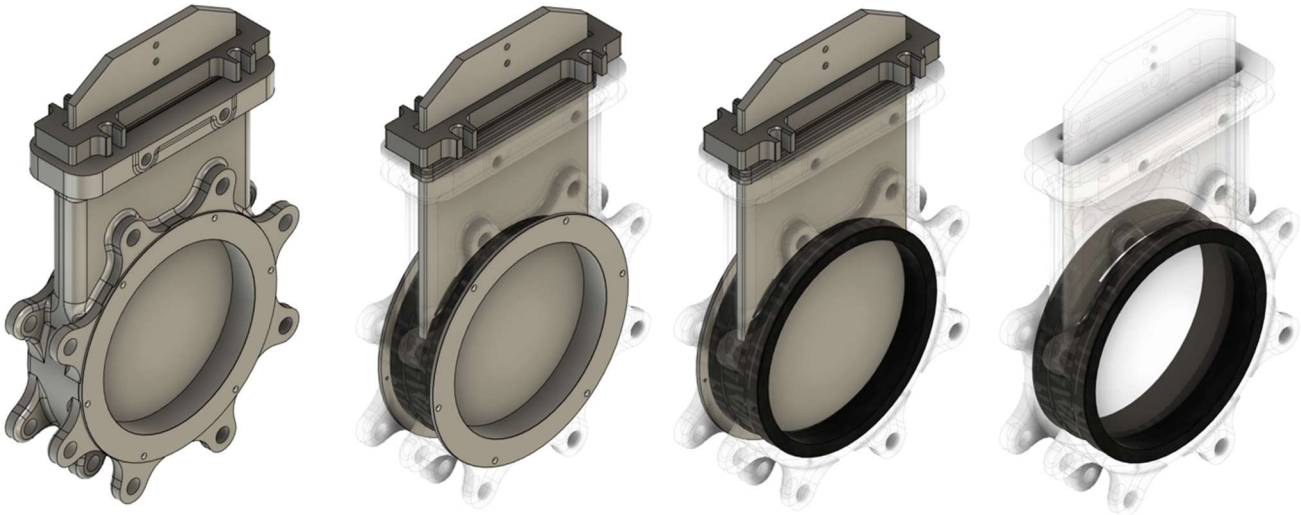
HEAVY DUTY KNIFE GATE VALVE

The Series 22 is a bi-directional lugged-style knife gate valve. The new innovative design of the all-cast stainless steel body and seat assures non-clogging shutoff on suspended solids. Like high-performance butterfly valves that utilize a retaining ring to secure the seat, the fully supported boot design seat and bi-directional bubble-tight shutoff allow the Series 22 to be used in many applications where previous knife gates have not been used.



DESIGN FEATURES

- Fully Booted Seat for Positive Shut Off at Minimal Line Pressure
- Fully Supported Blade through Valve Stroke
- Bi-Directional Bubble-Tight Shutoff
- Cast 304 or 316 Stainless Steel Body
- High Flow Capacity and Port Design (MSS-SP-81 & Tappi TIS 405-8)
- Epoxy Coated Handwheel and Stem Protector
- ANSI B16.5 Flange Connection (Class 150)



OPTIONS

Actuation Methods:

- Ratchet Handle
- Chainwheel
- AWWA Nut (Square Nut)
- Bevel Gear-Operators
- Quick Operating Lever
- SA/DA Pneumatic Cylinder
- Hydraulic Cylinder
- Electric Actuators
- Non-Rising Stem
- Variety of Packing Options for Corrosive and High Temperature Environments
- Deflection Cones - Added Seat/Gate Protection
- Solenoid Valves
- Mechanical Limit Switches
- Proximity Switches
- Locking Device
- Mechanical Stops
- Stem Extensions and Floor Stands